

# Aerograph instruction booklet

## ■ SPECIFICATIONS

HS-30 /HS-30A /HS-30B /HS-30C /HS-30D /HS-30E

Nozzle diameter: 0.2mm-0.3mm

Fluid Cup capacity: 7cc

## ■ APPLICATIONS

Commercial arts, illustrations, photo retouching, hobby and crafts.

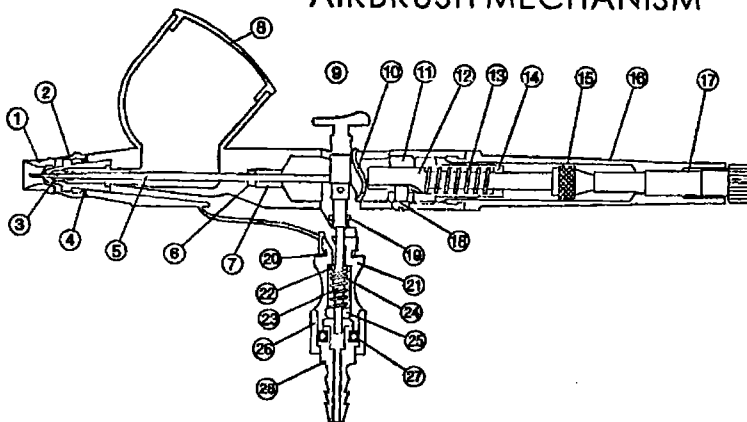
## ■ HOW TO SPRAY

1. Fill fluid in the cup after thinning appropriately.
2. Hold the airbrush lightly in your hand.
3. By pressing the main lever, a stream of air emerges. Then draw it backward gradually for Color atomization.
4. The spray pattern is in accordance with the distance between a work surface and a air brush.
5. For fine line spray, remove the needle cover and hold the air brush near a work surface.

## ■ MAINTENANCE

1. Empty the fluid cup and wash with water or solvent by a brush.
2. Refill cup with water or solvent, then block the needle cover with a finger and spray. The air flows backward into nozzle to clean the paints remained the air brush.

### AIRBRUSH MECHANISM



### Parts Name

1. Needle CaP
2. Nozzle Cap
3. Nozzle
4. O-Ring for Nozzle Cap
5. Needle
6. O-Ring for Needle Guide
7. Needle Guide
8. Lid for Color Cup
9. Operation Lever
10. Lever Guide
11. Stopper
12. Needle Chucking Guide
13. Spring
14. Spring Case
15. Needle Chucking Net
16. Standard-Handle Adjusting
17. Adjustin Screw
18. Guide Screw
19. Lever Guide O-Ring
20. Valve O-Ring
21. Valve Body
22. Valve Rod O-Ring
23. Valve Rod
24. Valve Spring
25. Valve Screw
26. Hose Connector Nut
27. O-Ring for Hose Connector
28. Hose Connector
29. Nozzle Spanner

### PARTS DETAILS

